

1. Remove grille if applicable (NOTE: Panel does not need to be layed down - easier if not).
2. Cut *interior* surround with utility knife or linoleum knife a maximum depth of 3/4". **Do not cut exterior surround.** (See Figure 1).
3. Remove the original glazing. Thoroughly clean the glazing seat of the surround of all remaining glazing tape and any debris.
4. Install sealant (or glazing tape) continuously along the perimeter of the clean glazing seat of the surround.
5. Position the new glass into the surround, equally space the shims to hold glass in place. (See Figure 2.). Press glass to firmly seat in sealant.
IMPORTANT: If the new replacement glass has specialty glazing (Bronze tint, Low E), make certain to install with glass sticker facing towards the inside.
6. Caulk along the entire glazing seat perimeter of the replacement surround. Also caulk continuously along the perimeter of the panel where the replacement surround will contact.
Position new surround in place—firmly seat surround in caulk.
7. Secure new surround using sufficient finishing nails at maximum 16" - 18" spacing, being careful not to drive nail into edge of glass (See Figure 3.).
8. Clean any excess caulking from surround, glass or panel.

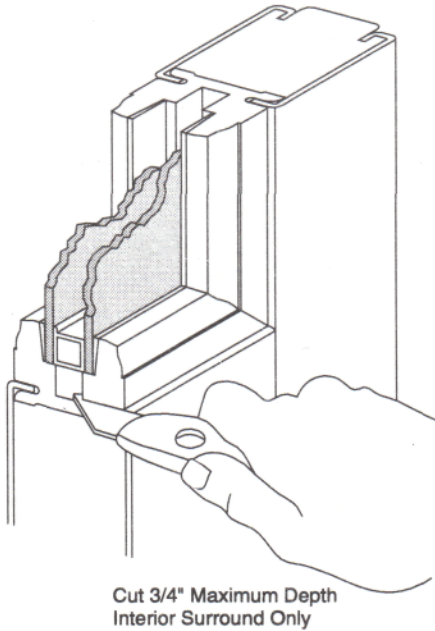
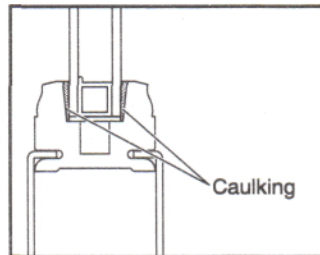
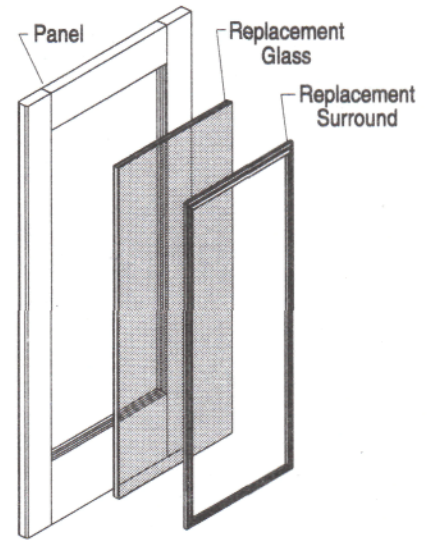


Figure 1.

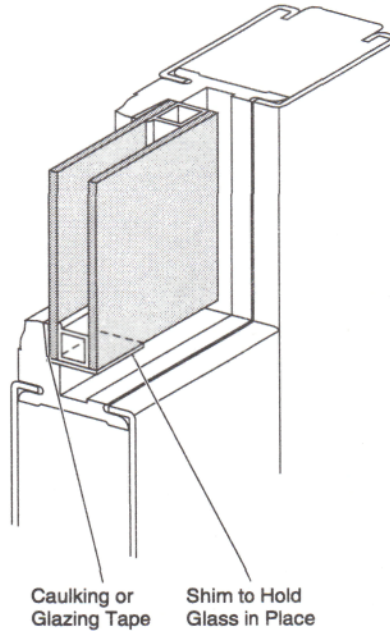


Figure 2.

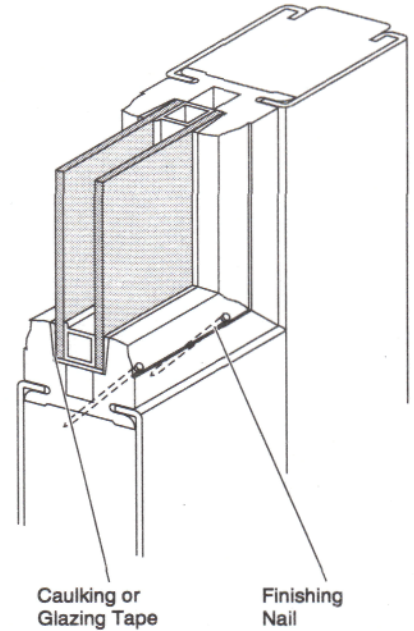


Figure 3.