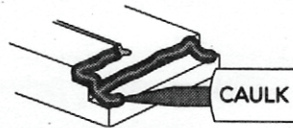


1. Check contents of frame box against component packing list (on back) to insure all components are present. If any components are missing, notify your distributor or dealer.
2. Unit comes handed. Lay frame members out (exterior face up) on a flat surface.
3. Attach frame head to top of each jamb using (4) nails per corner. Cross nail for best results, using (3) nails thru jamb into head and then (1) nail thru head into jamb.

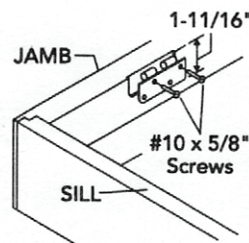
4. Apply a generous amount of caulk to bottom of each jamb (as shown) to prevent water leakage. **APPLY GENEROUSLY.**



5. Attach frame sill to bottom of each jamb using (4) nails per jamb. Cross nail for best results, using (3) nails thru jamb into sill and then (1) nail thru sill into jamb.

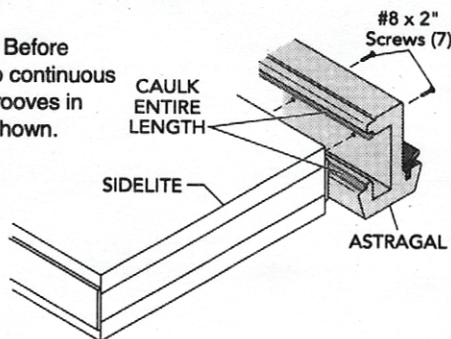
**NOTE:** Jamb is reversible top to bottom—weatherstripping will slide up or down to clear sill.

6. Remove pins from loose hinge sets. Attach the larger (2") leaf from each to the hinge jambs at the top and bottom mortises using the punched indexes in mortises to accurately locate and mount leaves. Fixed pin hinges will be installed later. Install (2) #10 x 5/8" screws in holes closet to interior at each hinge mortise—the remaining screw locations will receive #12 x 2" flat head screws after panels are installed.

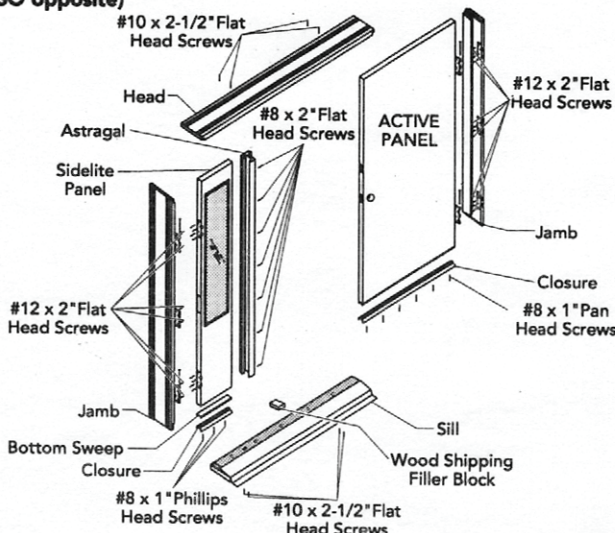


**NOTE:** Use punched indexes at hinge mortise locations on jambs to accurately locate and mount hinge leaves. Back edge of hinge leaf must be 1-11/16" from exterior mullion face. Do not tighten hinge screws securely at this point. This will make reinstalling hinge pins easier.

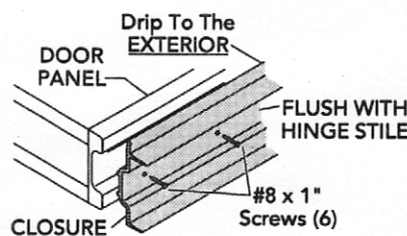
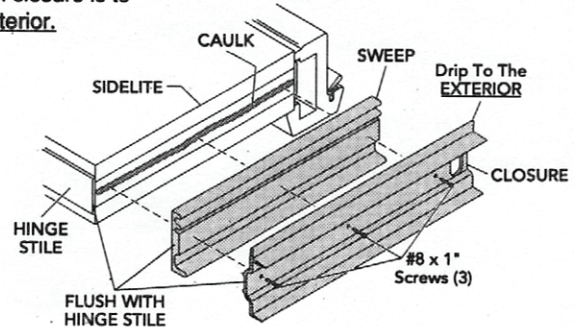
7. Astragal is handed. Before attaching, apply two continuous beads of caulk to grooves in astragal profile as shown. Attach astragal to sidelite panel with (7) #8 x 2" flat head screws thru pre-drilled holes.



#### 3'8/4'2 x 6'8 L/LASO (R/RASO opposite)



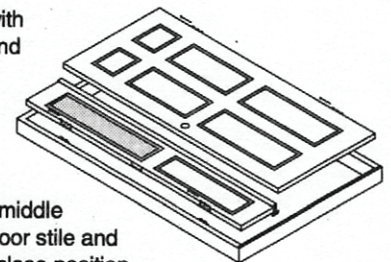
8. Before attaching bottom sweep to sidelite, apply a bead of caulk across bottom of sidelite. Install bottom sweep and closure to bottom of sidelite with (3) #8 x 1" pan head screws. Make sure that ends of sweep and closure are flush with hinge stile of sidelite and drip on closure is to the exterior.



9. Install bottom closure to bottom of door panel with drip to the exterior. Use (6) #8 x 1" pan head screws thru pre-drilled holes in closure. Make sure closure is flush with hinge stile and interior face of door panel.

**IMPORTANT:** Attach (5) adhesive-backed spacers to both panels to assure an even margin between panels and frame during handling and installation. Locate spacers approximately 6" from top and bottom ends on panel lock stile and on panel top rail approximately 6" in from lock stile. Also locate one spacer 6" from bottom end on hinge stiles.

10. Align hinge leaves on panel with hinge leaves on hinge jamb and insert hinge pins from top to bottom. Swing panels to open position and securely tighten hinge leaf screws on panels hinge stile and jamb. Attach fixed pin hinges to the middle mortise on hinge jambs and door stile and sidelite stile. Swing panels to close position and check for even margins (1/8") around perimeter of panels.



11. Install plastic astragal bolt strike plate to aluminum sill with (2) 1/2" flat head screws. Engage both top and bottom astragal lock strikes prior to handling and installation.

12. Install wood shipping filler blocks under lock stile of both panels to prevent sag during unit handling/installation. Attach shipping clip to lock stile (at hardware prep area) with (2) #6 x 3/4" flat head screws. The shipping clip should not interfere with closing of panels.

13. With panels in closed position, secure shipping clip to strike mullion using (2) #6 x 3/4" flat head screws. A 1" x 4" wood brace nailed across unit will aid in maintaining unit alignment during handling and installation. An optional shipping clip may be used in place of the recommended/preferred wood brace. If the clip is used, it should be attached to top of panel near lock stile and frame head.

